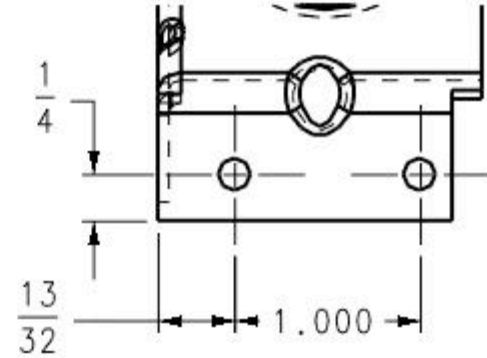
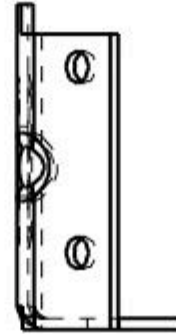
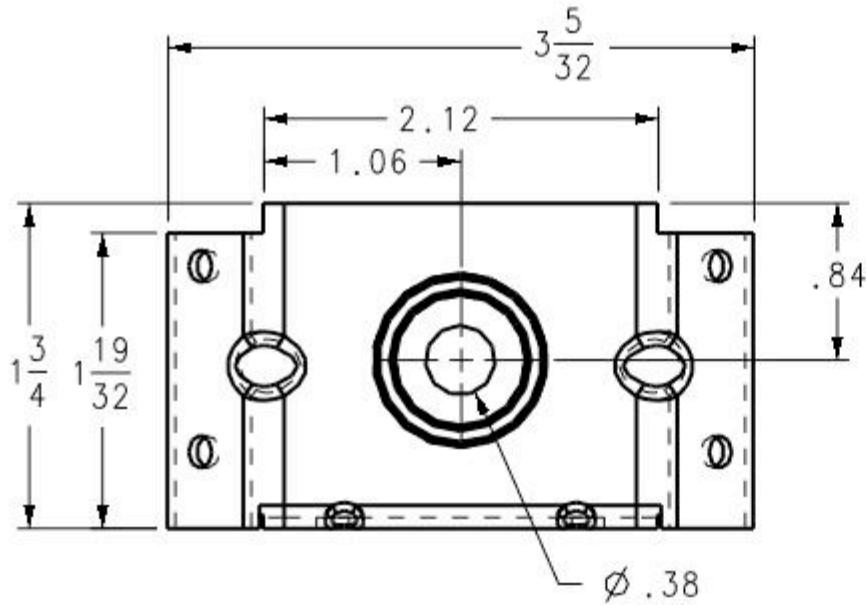
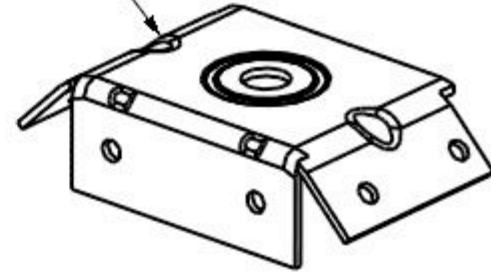
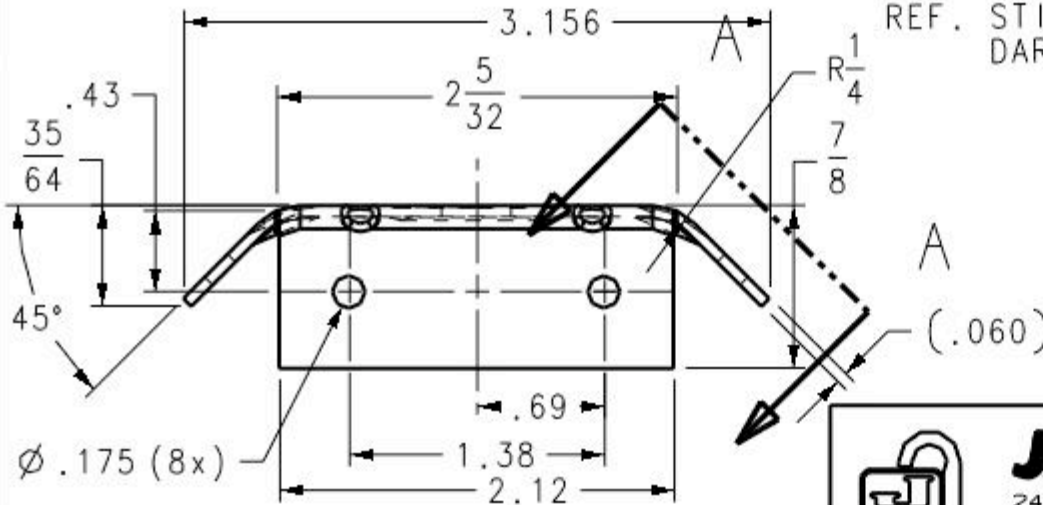


All information in this drawing / document is the exclusive proprietary property of Jacob Holtz Company and is disclosed with the understanding it will be retained in confidence and will neither be duplicated nor copied in whole or in part nor used for any purpose other than that for which disclosed. It may not be used to manufacture parts without Jacob Holtz Company written consent. This material is to be returned on demand.



SECTION A - A



JACOB HOLTZ CO.

2424 E. York Street
Philadelphia, PA 19125

Phone #215-423-2800 - Fax #215-634-7454

A	INITIAL RELEASE	7/24/05
LTR	REVISION RECORD	DATE

TOLERANCES UNLESS OTHERWISE SPECIFIED

	.XXX	.XX	DRAWN BY	D. Y.
DECIMAL	$\pm .005$	$\pm .020$	DATE	7-7-05
FRACTION	$\pm 1/16$		MAT'L	16Ga. CRS
ANGLE	± 1		FINISH	None

DESCRIPTION	--
PART NO.	H-34-16
CATALOG NO.	-