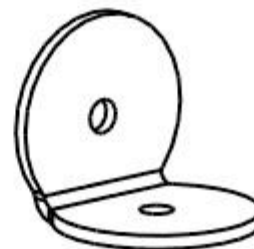
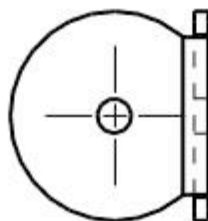
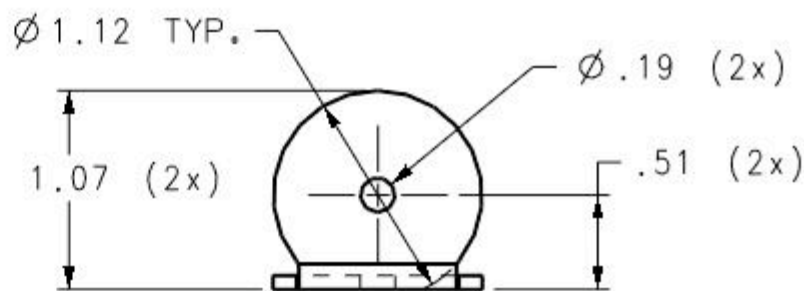
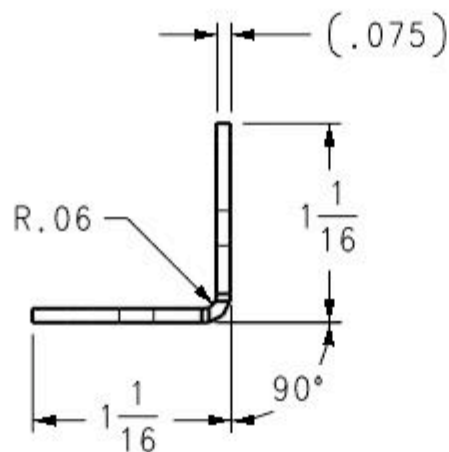


All information in this drawing / document is the exclusive proprietary property of Jacob Holtz Company and is disclosed with the understanding it will be retained in confidence and will neither be duplicated nor copied in whole or in part nor used for any purpose other than that for which disclosed. It may not be used to manufacture parts without Jacob Holtz Company written consent. This material is to be returned on demand.



JACOB HOLTZ CO.

2424 E. York Street
Philadelphia, PA 19125

Phone #215-423-2800 - Fax #215-634-7454

			TOLERANCES UNLESS OTHERWISE SPECIFIED		DRAWN BY		D. Y.		DESCRIPTION	
					DATE		4-3-05			
			DECIMAL		±.005		±.020		PART NO.	
			FRACTION		±1/16		MAT'L			
A			INITIAL RELEASE		7/31/05		FINISH		CATALOG NO.	
LTR			REVISION RECORD		DATE		ZINC			

