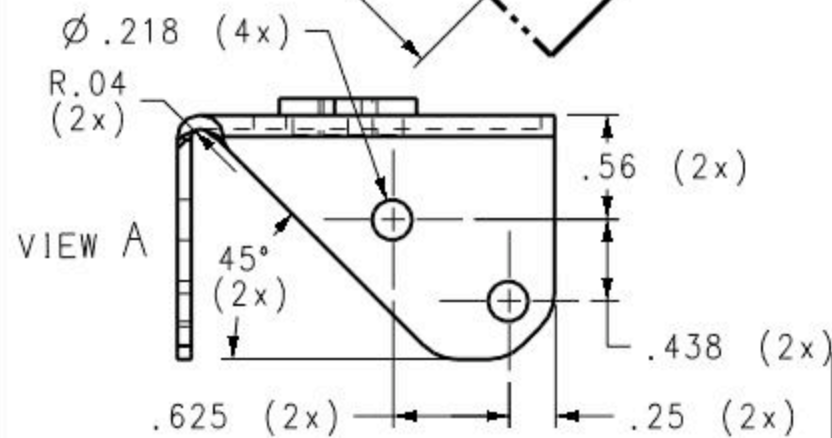
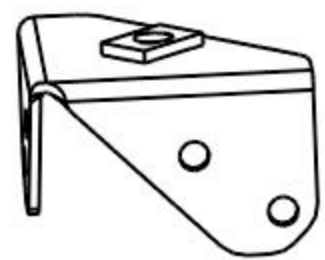
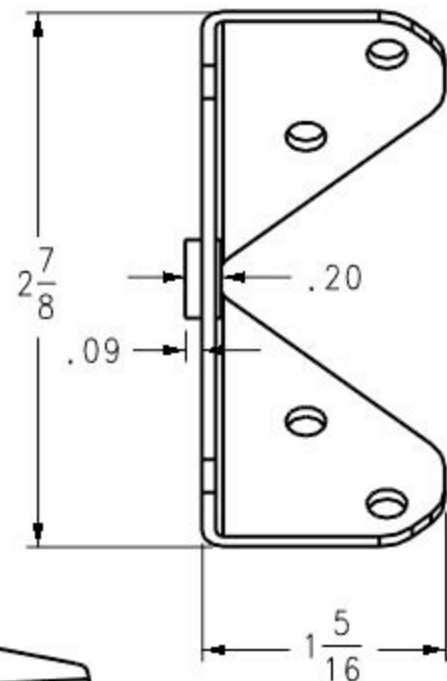
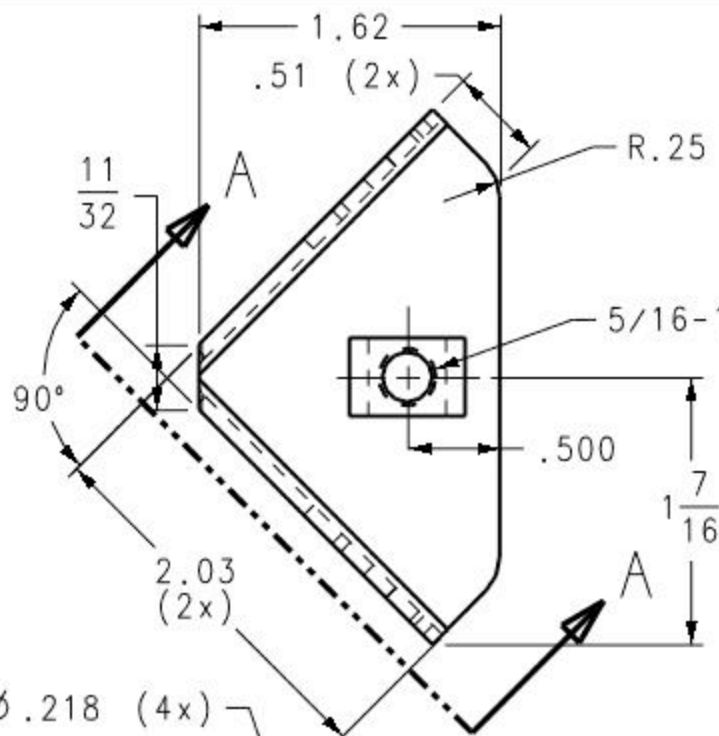


DRAWING MADE IN THIRD ANGLE PROJECTION



JACOB HOLTZ CO.

2424 E. York Street
Philadelphia, PA 19125

Phone #215-423-2800 - Fax #215-634-7454

A	INITIAL RELEASE	B-1-05
LTR	REVISION RECORD	DATE

TOLERANCES UNLESS OTHERWISE SPECIFIED			DRAWN BY	D.Y.	DESCRIPTION
DECIMAL	±.005	±.020	DATE	5-7-05	
FRACTION	±1/16		MAT'L	14Ga. CRS	PART NO. NI-14-"5/16"-NUT
ANGLE	±1		FINISH	None	CATALOG NO. -

All information in this drawing / document is the exclusive property of Jacob Holtz Company and is disclosed with the understanding it will be retained in confidence and will neither be duplicated nor copied in whole or in part nor used for any purpose other than that for which disclosed. It may not be used to manufacture parts without Jacob Holtz Company written consent. This material is to be returned on demand.