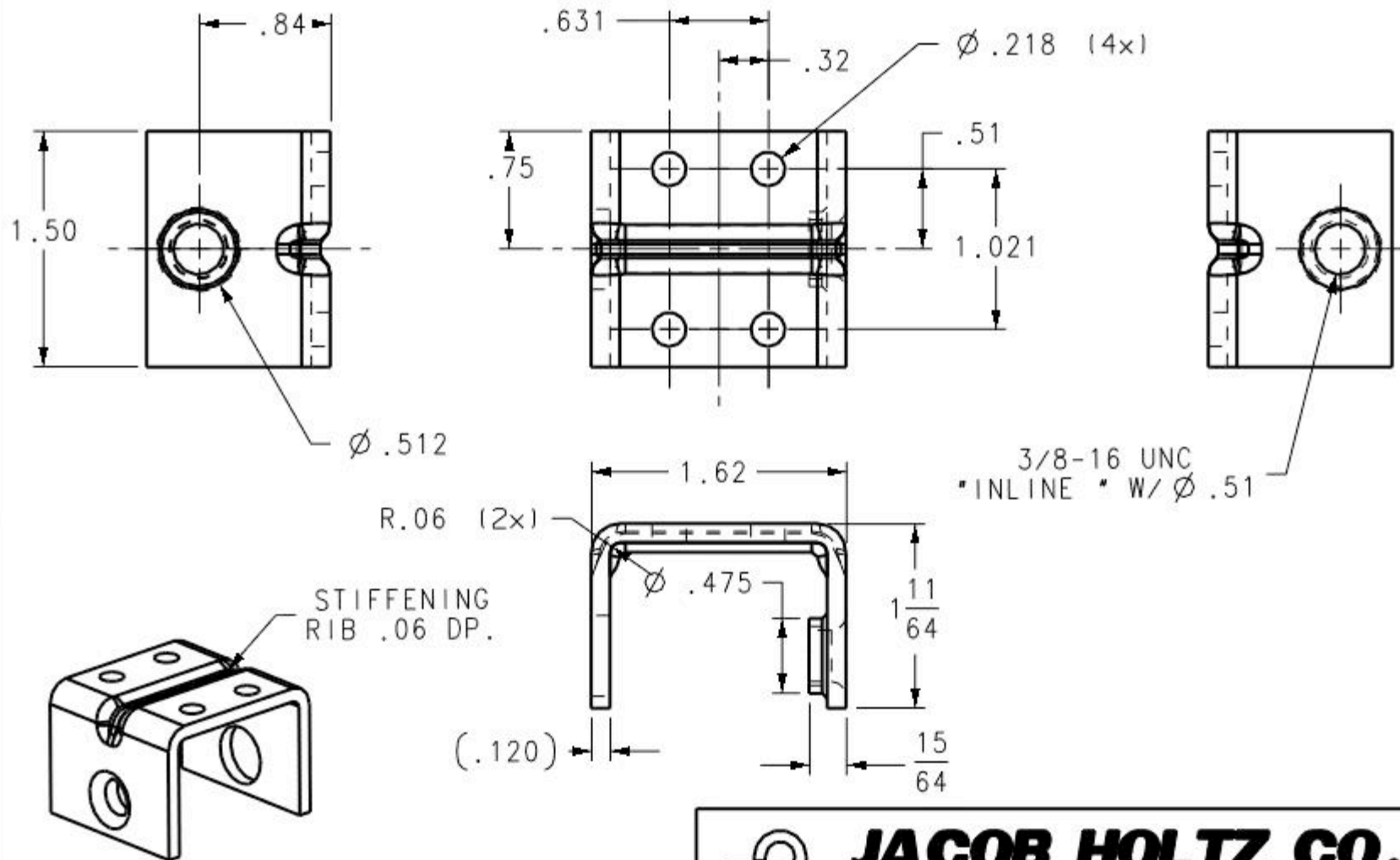


DRAWING MADE IN THIRD ANGLE PROJECTION

All information in this drawing / document is the exclusive proprietary property of Jacob Holtz Company and is disclosed with the understanding it will be retained in confidence and will neither be duplicated nor copied in whole or in part nor used for any purpose other than that for which disclosed. It may not be used to manufacture parts without Jacob Holtz Company written consent. This material is to be returned on demand.



# JACOB HOLTZ CO.

2424 E. York Street  
Philadelphia, PA 19125

Phone #215-423-2800 - Fax #215-634-7454

			TOLERANCES UNLESS OTHERWISE SPECIFIED				
			.XXX	.XX	DRAWN BY	D. Y.	DESCRIPTION
			DECIMAL	$\pm .005$ $\pm .020$	DATE	4-3-05	
A	INITIAL RELEASE	7/31/05	FRACTION	$\pm 1/16$	MAT'L	11G $\alpha$ . CRS	PART NO. 01-11
LTR	REVISION RECORD	DATE	ANGLE	$\pm 1$	FINISH	NONE	CATALOG NO. -